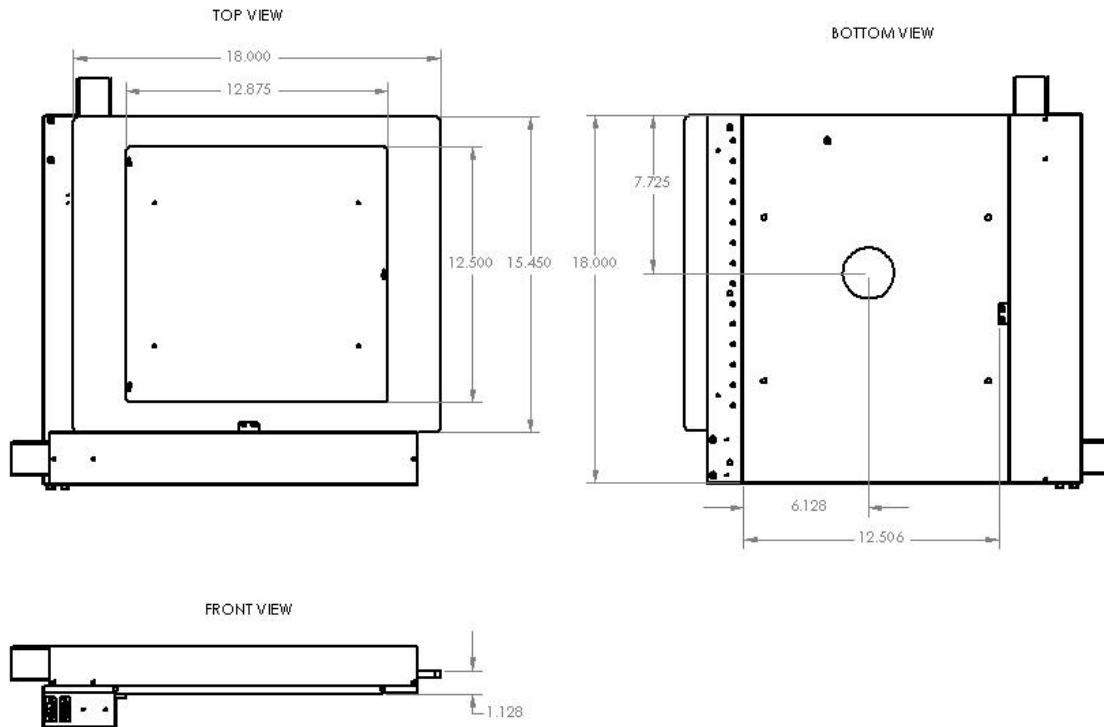


## MOTORIZED MICROSCOPE STAGE Model 1212 MO

*Franklin* motorized microscope stages are made to mount easily to most microscopes. The *1212MO microscope stage* is designed with crossed roller bearings and constructed of precision aluminum with a black anodized Teflon coating. The stage comes standard with a glass insert. An optional insert plate is available which allows for attaching fixtures easily and also leveling of the sample.



SPECIFICATIONS	
BALLSCREW	2MM LEAD
TRAVEL RANGE	305 X 305 MM (12" X 12")
REPEATABILITY	+/- 2 $\mu$ m
MOTOR	2 PHASE STEPPER MOTOR
STEP SIZE WITH FranklinMCI CONTROLLER	0.04 $\mu$ m
LIMIT SWITCHES	MECHANICAL - NON ADJUSTABLE
WEIGHT	30 LBS.
TRAVEL FLATNESS	+/- 0.0015"

CAN BE MOUNTED TO THE FOLLOWING MICROSCOPES:
Nikon
Olympus
Leica
Zeiss
Other makes
Custom bolt-hole patterns available upon request.

### OPTIONAL ACCESSORIES:

INSERT PLATE: ALLOWS FOR LEVELING OF THE SAMPLE FOR REFLECTED USE

STEPPER MOTOR CONTROLLER: 2 OR 3 AXIS WITH JOYSTICK

MOTORIZED FOCUS KIT: CAN BE MOUNTED ON MOST MICROSCOPES

MOTORIZED FOCUS BLOCK: CAN REPLACE OLD FOCUS BLOCK IN SOME APPLICATIONS.

PLEASE CALL FOR MORE DETAILED INFORMATION.